

Vier Lite Wand Roller Blind

Product Information

Vier Lite Wand Operated Roller Blind offers a robust, every day roller blind that Utilises a new generation hardware system, this chain-free system provides dual operation via wand or base rail to operate the Roller Blind to further improve the user experience.

The easy to use wand is unobtrusive and stylish, providing a safe and ideal operation of high window blinds which may be hard to reach.

The technologically advanced auto-rise feature ensures smooth and controlled self-rising with only a light pull of the base rail or wand, stopping at the ideal top position.

The Vier Lite AIR Roller Blind is suitable for residential and commercial use.

Further Information

To find out more information phone Verosol Customer Care on 1800 721 404 or visit www.verosol.com.au



Technical Information

Product Code	R232.2		
Product Name	Vier Lite WAND Operated Roller Blind		
Operation	Chain Free - WAND Operation		
Dimensions	Width	800mm minimum - 2800mm maximum	
	Drop	500mm minimum - 2400mm maximum	
		Some restrictions apply to minimum & maximums - available sizes based on fabric weights	
	Maximum Area	5.76m ²	
Roller Tube	Light - 43mm	Standard - 44mm	Heavy Duty - 49mm
	Optimised for for operation based on fabric weight and width of blind to reduce tube deflection		
Base Rail Options	D30 Silent [14mm x 31mm], Verosol [17mm x 28mm]		
	Colours	Paint: White, Black , Sandstone, Anodised: Clear [Colour availability dependant on rail type]	
Control	Mechanism	Direct action, high tensile wound steel spring which operates in such a way that it only applies the precise braking power necessary to keep the blind in the desired position. Advanced auto-rise feature ensures smooth and controlled self-rising with only a light pull of the base rail or wand, stopping at the ideal top position.	
	Colours	White	
Brackets	Material	Press formed steel, pre-treated and powder coated	
	Colours	White	

Turn over for Optional Extras

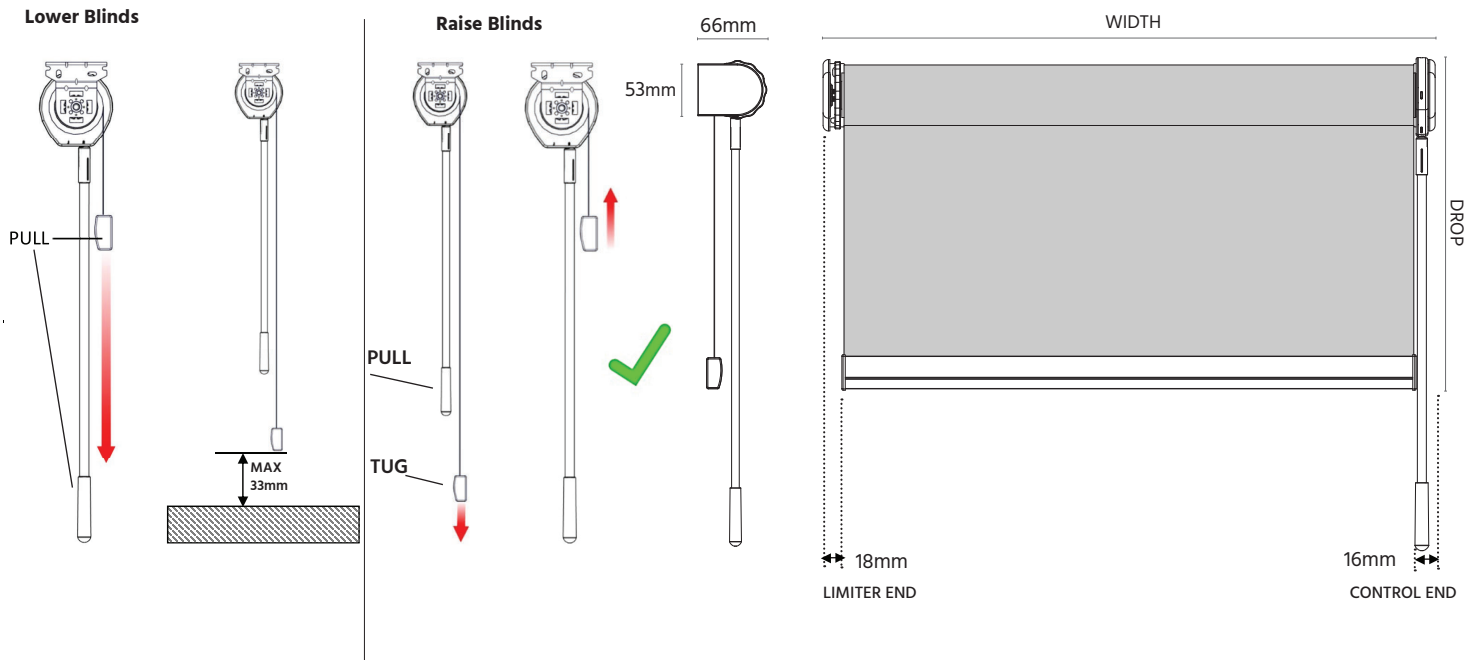
Vier Lite Wand Roller Blind

Optional

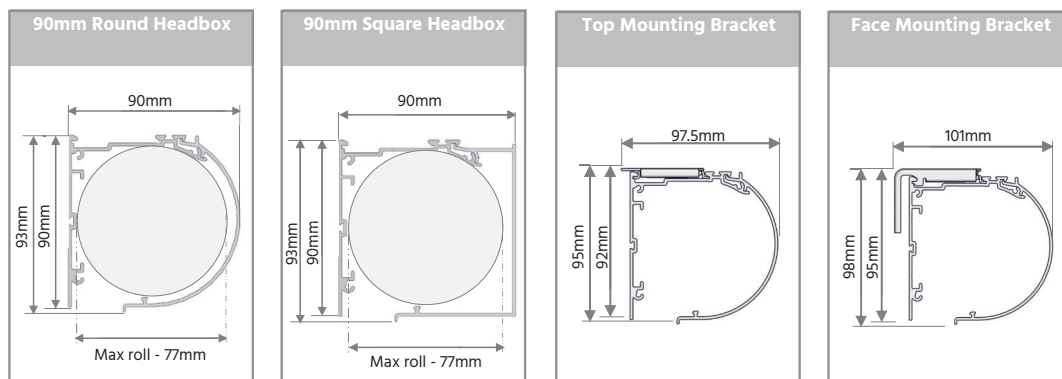
Headbox Options	Type	90mm Round Head Box	90mm Square Head Box
	Dimensions	90mm x 90mm	90mm x 90mm
	Maximum	3000mm maximum width	3000mm maximum width
	Colours	White, Black, Clear Anodised	White, Black, Clear Anodised

System Diagrams

Vier Lite Wand Roller Blind



Headbox Options



Bracket

