

SHADOWSPEC[®]

LUXURY UMBRELLA SYSTEMS



www.instaco.com.au

SHADOWSPEC®

LUXURY UMBRELLA SYSTEMS



CONTENTS

Page

SU3

Wall Mounted Umbrella



4-5

SU5

Centre Post Café/Market Umbrella



6-7

SU6

Cantilever Umbrella
(Up to four umbrellas on one mast)



8-13

SU7

Cantilever Umbrella
(360° rotation)



14-19

SU8

Cantilever Shade Umbrella
(High wind capability)



20-23

SU3

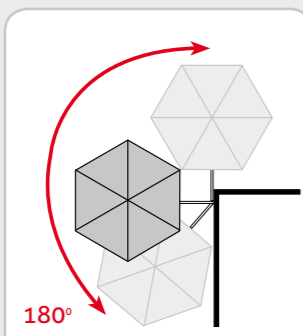
Wall Mounted Umbrella



UNIQUE FEATURES - SU3



Telescopic arm



Swings horizontally



Tilt function

- Manufactured from top quality anodised aluminium, stainless steel and other non-corrosive materials
- Patented 'Easy Opening System'
- Telescopic Arm – 1.40m out to 1.80m
- Umbrella can swing horizontally
- Umbrella can tilt 10°

SU3

Wall Mounted Umbrella

FABRIC - SU3

Premium Olefin 'COSLAN':
100% solution dyed

Weight: 190 g/m²
Colourfastness: 6-7/8
Shade Rating: UPF 40+

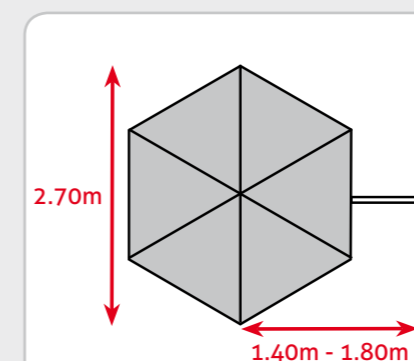
Water repellent
Maintenance: All fabrics can be washed and replaced

COLOURS - SU3

Please note - actual colours may vary slightly from examples printed in catalogue



SIZE - SU3



HEXAGON

ACCESSORIES - SU3

STANDARD



WALL BRACKET
Aluminium bracket for wall mounting

STANDARD



PROTECTION COVER
Protects the umbrella from the weather when not in use

PRODUCT VIDEO - SU3



To view the SU3 in operation scan this QR code on your smartphone or go to www.instaco.com.au

WARRANTIES* - SU3



*Conditions apply

SU5

Centre Post Café / Market Umbrella

SU5

Centre Post Café / Market Umbrella



UNIQUE FEATURES - SU5



Premium materials, elegant design



Finger-safe quick release system for easy operation



Manual telescopic height adjuster

- Manufactured from top quality anodised aluminium, stainless steel and other non-corrosive materials
- Elegant and modern design
- Telescopic Pole up to 2.40m
- Light and easy to use
- Perfect match with the SU3 Umbrella

FABRIC - SU5

Premium Olefin 'COSLAN':
100% solution dyed

Weight : 190 g/m²
Colourfastness: 6-7/8
Shade Rating: UPF 40+

Water repellent
Maintenance: All fabrics can be washed and replaced

COLOURS - SU5

Please note - actual colours may vary slightly from examples printed in catalogue



SIZE - SU5



HEXAGON

ACCESSORIES - SU5

STANDARD



PROTECTION COVER
Protects the umbrella from the weather when not in use

OPTIONAL



UMBRELLA BASE
Portable base for the umbrella to stand in

PRODUCT VIDEO - SU5



To view the SU5 in operation scan this QR code on your smartphone or go to www.instaco.com.au

WARRANTIES* - SU5



*Conditions apply

SU6

Cantilever Umbrella

(Up to four umbrellas on one mast)



UNIQUE FEATURES - SU6

- Manufactured from marine-grade powder-coated aluminium, stainless steel and other non-corrosive materials
- Durable, Heavy duty, Multi-mount mast – Up to 4 umbrellas on one mast
- Patented 'One Movement' Sliding System
- Octagon or Square Umbrellas
- Covers up to 38m²
- Utilises Gas-strut technology for ease of deployment

SU6 MAST



SU6

Cantilever Umbrella

(Up to four umbrellas on one mast)



UNIQUE FEATURES - SU6 Cont...



GAS STRUT

Thanks to the Gas Strut, which compensates the weight of the umbrella, the SU6 Umbrella is ultra light to handle. For locations close to the sea, we recommend a stainless steel gas-strut option.



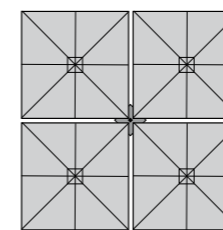
QUICK-RELEASE SLIDING SYSTEM

The patented 'One Movement' Sliding System enables the umbrella to be opened and closed easily in one single movement.

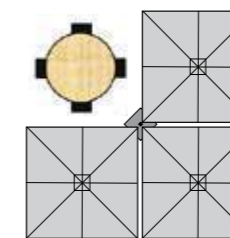
'UP TO 4 UMBRELLAS ON ONE MAST'

The Shadowspec SU6 Umbrella consists of 1, 2, 3 or 4 umbrellas on one mast. Each umbrella can be operated individually. You choose where you want shade or sun! This makes the SU6 Umbrella an ideal gastronomy partner. For example the following configurations show some of the possibilities for an SU6 Square Quattro:

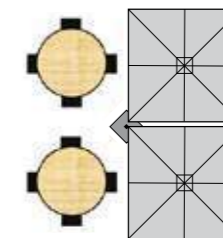
EXAMPLE 1
4 umbrellas up



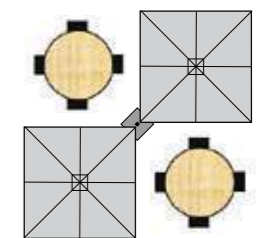
EXAMPLE 2
3 umbrellas up



EXAMPLE 3
2 umbrellas up



EXAMPLE 4
2 umbrellas up



PRODUCT VIDEO - SU6



To view the SU6 in operation scan this QR code on your smartphone or go to www.instaco.com.au

WARRANTIES* - SU6



*Conditions apply

SU6

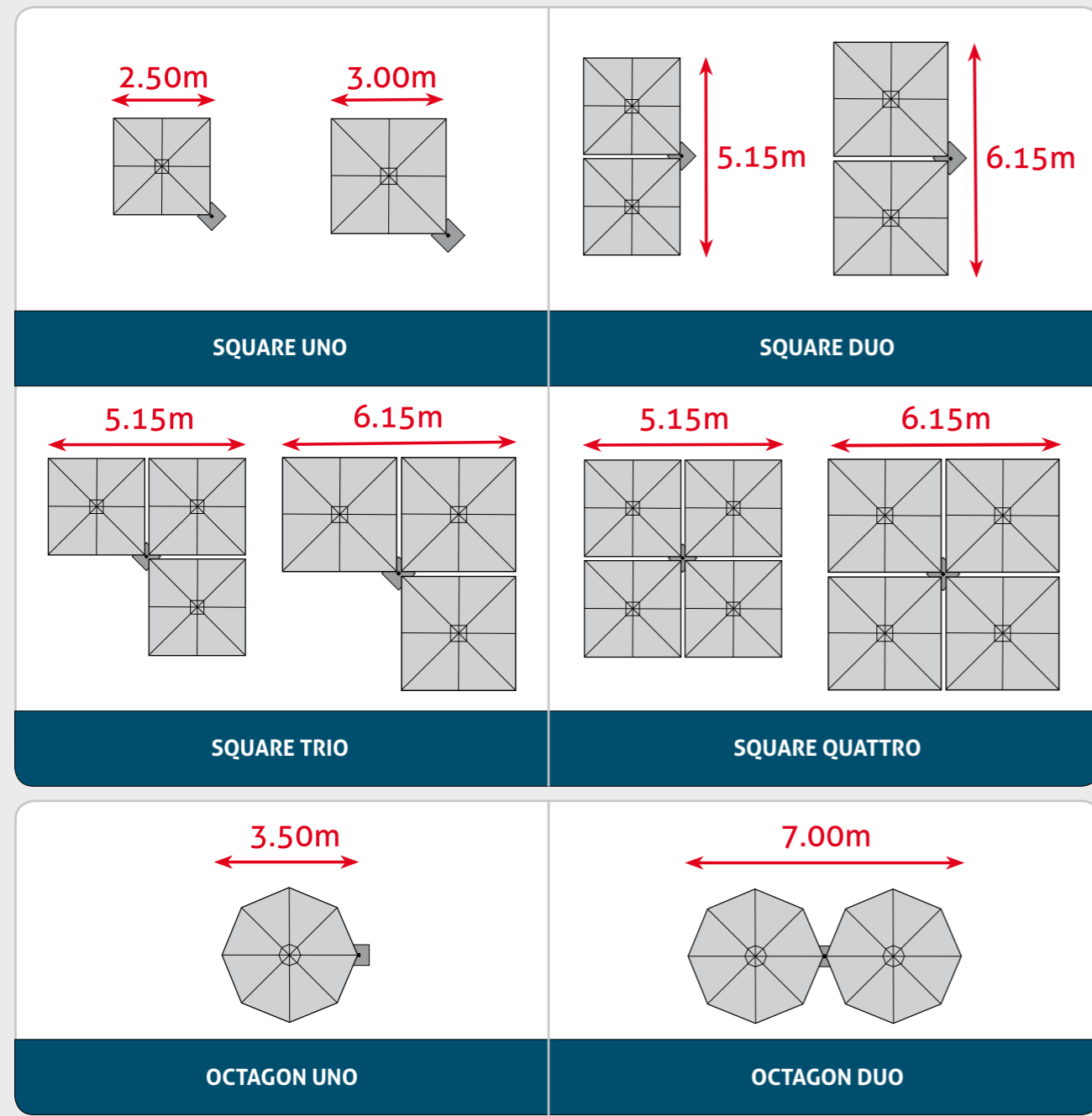
Cantilever Umbrella
(Up to four umbrellas on one mast)



SIZE & CONFIGURATION - SU6

SQUARE UMBRELLA - 2.5m x 2.5m
- 3.0m x 3.0m

OCTAGON UMBRELLA - 3.5m Diameter



SU6

Cantilever Umbrella
(Up to four umbrellas on one mast)



FABRIC - SU6

Premium DICKSON Acrylic: 100% solution dyed

Weight: 290 g/m²

Colourfastness: 7-8/8

Water proof rating: >300mm water column

Maintenance: All fabrics can be washed and replaced



EASY CARE



FADE RESISTANT



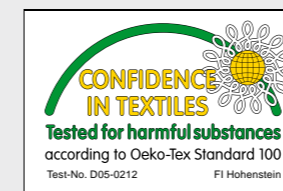
HIGH UV PROTECTION



MOLD RESISTANT



WATER REPELLANT & STAIN RESISTANT



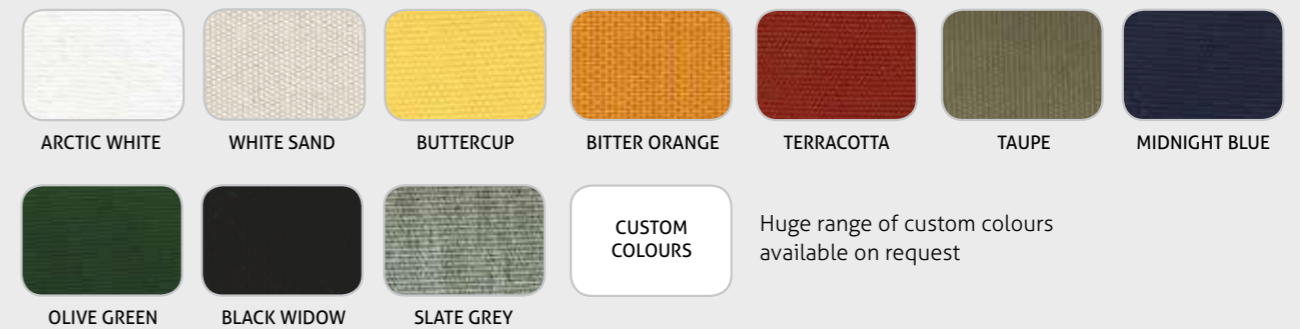
This label certifies that the fabrics do not contain any toxic substances and do not present any health, skin or environmental hazards (OEKOTEX 100)



The Skin Cancer foundation recommends Dickson Acrylic as a part of your complete sun protection regime, including regular use of sunscreen.

COLOURS - SU6

Please note - actual colours may vary slightly from examples printed in catalogue



Huge range of custom colours available on request

Shade Rating: UPF 50+

Today everyone is preoccupied by the need to protect themselves from the sun's UV rays. This protection also contributes to our comfort and promotes good health.

All Shadowspec SU6 standard colours filter almost 100% of the UV rays except the colours Arctic White & White Sand which filter 95% of the UV rays.



SU6

Cantilever Umbrella
(Up to four umbrellas on one mast)



ACCESSORIES - SU6

STANDARD



PROTECTION COVER
Protects the umbrella from the weather when not in use

OPTIONAL



LED LIGHT
Optional LED Lights can be fitted in the centre hub of each umbrella and simply operated with the small remote control provided. This option must be confirmed at time of ordering – it cannot be added retrospectively. Wiring is concealed within the frame. Can be permanently connected to an external 240V power supply via the Control Box Unit (provided) or alternatively, can be powered using a 12V battery. Any 240V wiring must be connected and certified by a qualified electrician.

RAIN GUTTER
Adjoining square umbrellas can be connected with removable rain gutters to increase weatherproof area.

SU6

Cantilever Umbrella
(Up to four umbrellas on one mast)

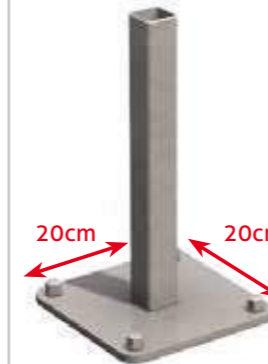


FIXATIONS - SU6

GROUND FIXINGS



IN-GROUND ANCHOR

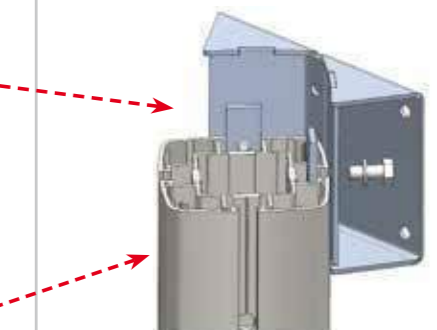
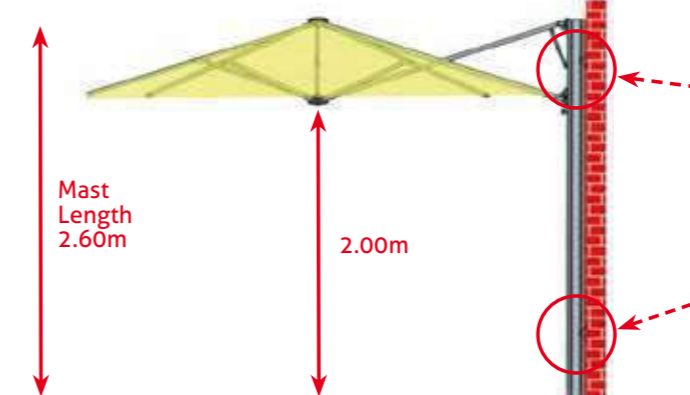


SURFACE PLATE



PORTABLE BASE
Note: Requires concrete pavers (not supplied) for anchoring weight

WALL FIXING



WALL MOUNTING BRACKET
(x2 per umbrella)

NOTE: This wall fixing option is only suited to SU6 SQUARE UNO and SU6 SQUARE DUO configurations.

SU7

Cantilever Umbrella
(360° Rotation)



UNIQUE FEATURES - SU7

- Manufactured from marine-grade powder-coated aluminium, stainless steel and other non-corrosive materials
- Patented 'One Movement' Sliding System
- Octagon or Square Umbrella
- Umbrella rotates 360°
- Durable, Heavy duty mast
- Utilises Gas-strut technology for ease of deployment



SU7

Cantilever Umbrella
(360° Rotation)

UNIQUE FEATURES - SU7 Cont...



GAS STRUT

Thanks to the Gas Strut, which compensates the weight of the umbrella, the SU7 Umbrella is ultra light to handle. For locations close to the sea, we recommend a stainless steel gas-strut option.

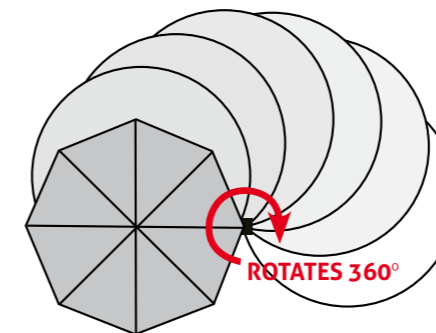


QUICK-RELEASE SLIDING SYSTEM

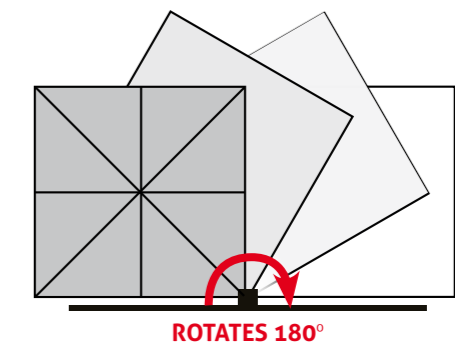
The patented 'One Movement' Sliding System enables the umbrella to be opened and closed easily in one single movement.

ROTATING - SU7

GROUND MOUNTED (Square or Octagon)



WALL MOUNTED (Square or Octagon)



PRODUCT VIDEO - SU7



To view the SU7 in operation scan this QR code on your smartphone or go to www.instaco.com.au

WARRANTIES* - SU7



*Conditions apply

SU7

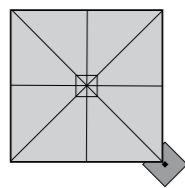
Cantilever Umbrella
(360° Rotation)



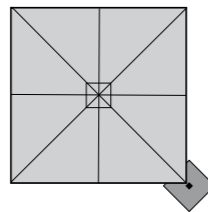
SIZE & CONFIGURATION - SU7

SQUARE UMBRELLA - 2.5m x 2.5m
- 3.0m x 3.0m

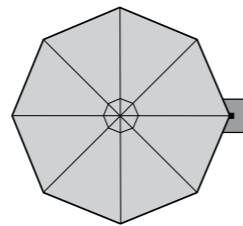
OCTAGON UMBRELLA - 3.5m Diameter



2.5m SQUARE



3.0m SQUARE



3.5m OCTAGON



SU7

Cantilever Umbrella
(360° Rotation)

FABRIC - SU7

Premium DICKSON Acrylic: 100% solution dyed

Weight: 290 g/m²

Colourfastness: 7-8/8

Water proof rating: >300mm water column

Maintenance: All fabrics can be washed and replaced



EASY CARE



FADE RESISTANT



HIGH UV PROTECTION



MOLD RESISTANT



WATER REPELLANT & STAIN RESISTANT



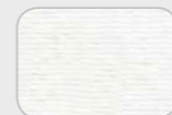
This label certifies that the fabrics do not contain any toxic substances and do not present any health, skin or environmental hazards (OEKOTEX 100)



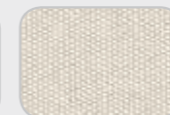
The Skin Cancer foundation recommends Dickson Acrylic as a part of your complete sun protection regime, including regular use of sunscreen.

COLOURS - SU7

Please note - actual colours may vary slightly from examples printed in catalogue



ARCTIC WHITE



WHITE SAND



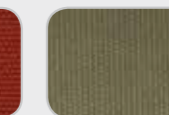
BUTTERCUP



BITTER ORANGE



TERRACOTTA



TAUPE



MIDNIGHT BLUE



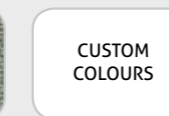
OLIVE GREEN



BLACK WIDOW



SLATE GREY



CUSTOM COLOURS

Huge range of custom colours available on request

Shade Rating: UPF 50+

Today everyone is preoccupied by the need to protect themselves from the sun's UV rays. This protection also contributes to our comfort and promotes good health.

All Shadowspec SU7 standard colours filter almost 100% of the UV rays except the colours Arctic White & White Sand which filter 95% of the UV rays.



SU7

Cantilever Umbrella
(360° Rotation)



SU7

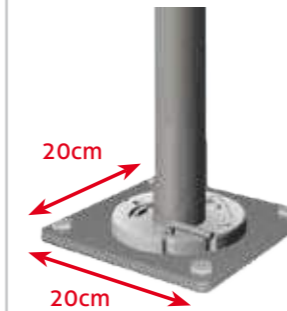
Cantilever Umbrella
(360° Rotation)

FIXATIONS - SU7

GROUND FIXINGS



IN-GROUND ANCHOR



SURFACE PLATE



PORTABLE BASE
Note: Requires concrete pavers (not supplied) for anchoring weight

WALL FIXING



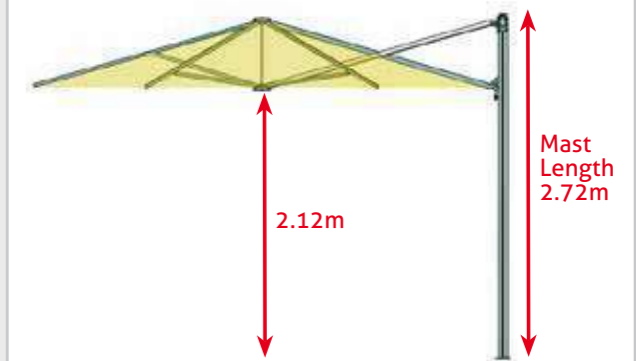
NOTE: When fixing the SU7 to a wall, rotation of the umbrella is limited to 180°



Top



Bottom



ACCESSORIES - SU7

STANDARD



PROTECTION COVER
Protects the umbrella from the weather when not in use

OPTIONAL



LED LIGHT

Optional LED Lights can be fitted in the centre hub of each umbrella and simply operated with the small remote control provided. This option must be confirmed at time of ordering – it cannot be added retrospectively. Wiring is concealed within the frame. Can be permanently connected to an external 240V power supply via the Control Box Unit (provided) or alternatively, can be powered using a 12V battery. Any 240V wiring must be connected and certified by a qualified electrician.

SU8

Cantilever Shade Umbrella
(High wind capability)



VIEW TEST VIDEO:
Scan this QR code on your
smartphone or go to
www.instaco.com.au



UNIQUE FEATURES - SU8

- Manufactured from top quality anodised aluminium, stainless steel and other non-corrosive materials
- Umbrella tilts vertically – Unlimited positions
- Umbrella rotates 360°
- Durable, Heavy duty mast
- Solid-core fiberglass umbrella ribs – high wind resistance

SU8 MAST



SU8

Cantilever Shade Umbrella
(High wind capability)

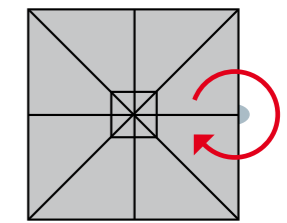
UNIQUE FEATURES - SU8 Cont...



Quick-release
sliding system

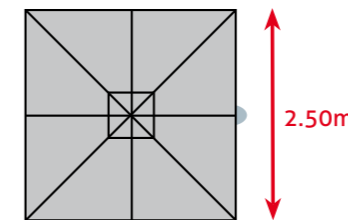


FIBREGLASS RIBS
These improve performance in
high wind conditions

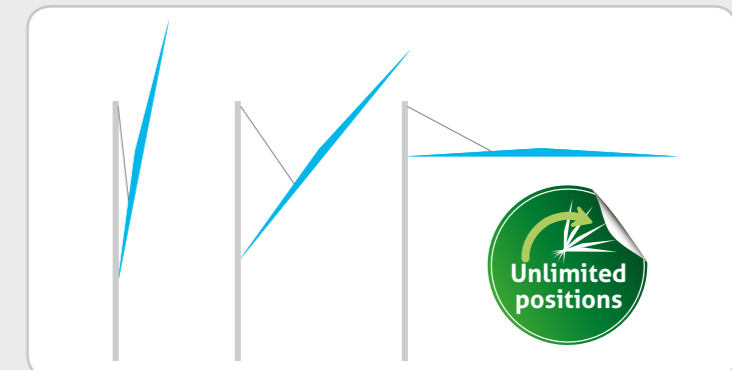


ROTATING
360° Rotation

SIZE - SU8



UMBRELLA TILT - SU8



PRODUCT VIDEO - SU8



To view the SU8 in operation scan this QR code on
your smartphone or go to www.instaco.com.au

WARRANTIES* - SU8



*Conditions apply

SU8

Cantilever Shade Umbrella

(High wind capability)



VIEW TEST VIDEO:
Scan this QR code on your
smartphone or go to
www.instaco.com.au



SU8

Cantilever Shade Umbrella

(High wind capability)

MAST OPTIONS - SU8



Note:
Umbrella mast does not
adjust from vertical to
leaning. When ordering,
choose between one fixed
mast position or the other.

FIXATION (Standard) - SU8



Every SU8 Umbrella includes its own rotating Base Plate and the removable Pole Spigot of your choice (either vertical or forward-leaning).

The rotating Base Plate is designed to be securely bolted on to a hard surface such as concrete or a wooden deck.

The Pole Spigot is then fastened onto the Base Plate allowing the Umbrella to rotate.

Note: An In-ground Mounting is also available (see Optional Accessories below)

FABRIC - SU8

Premium SUNBRELLA Acrylic: 100% solution dyed

Weight: 270 g/m²

Colourfastness: 7-8/8

Water proof rating: >300mm water column

Maintenance: All fabrics can be washed and replaced

Shade Rating: UPF 50+



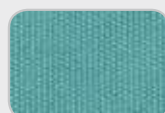
This label certifies that the fabrics do not contain any toxic substances and do not present any health, skin or environmental hazards (OEKOTEX 100)



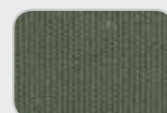
The Skin Cancer foundation recommends Sunbrella Acrylic as a part of your complete sun protection regime, including regular use of sunscreen.

COLOURS - SU8

Please note - actual colours may vary slightly from examples printed in catalogue



LAGOON



GRANITE



CANVAS

CUSTOM
COLOURS

Huge range of custom colours
available on request

ACCESSORIES - SU8

STANDARD



PROTECTION COVER:
Protects the umbrella
from the weather when
not in use

OPTIONAL



**IN-GROUND
MOUNTING:**
To be secured into
concrete.

Rotating Base Plate fastens
on top.



PO Box 1180, Sunnybank Hills, QLD 4109
Unit 2, 39 Achievement Cres, Acacia Ridge, QLD 4110

Ph: 07 3277 7749

Fax: 07 3161 4063

Email: sales@instaco.com.au

www.instaco.com.au